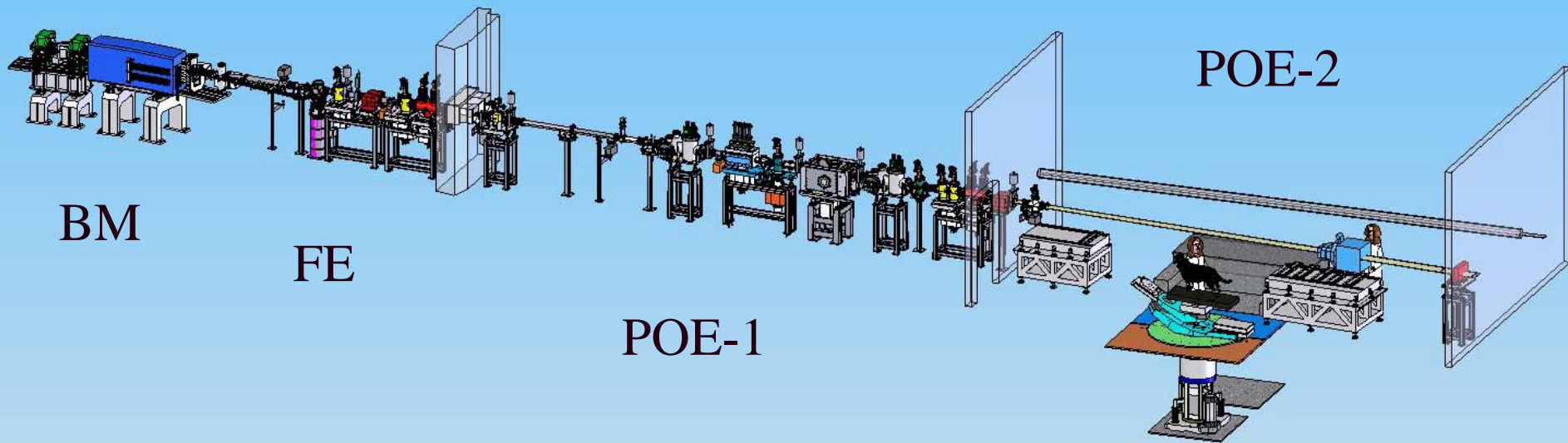
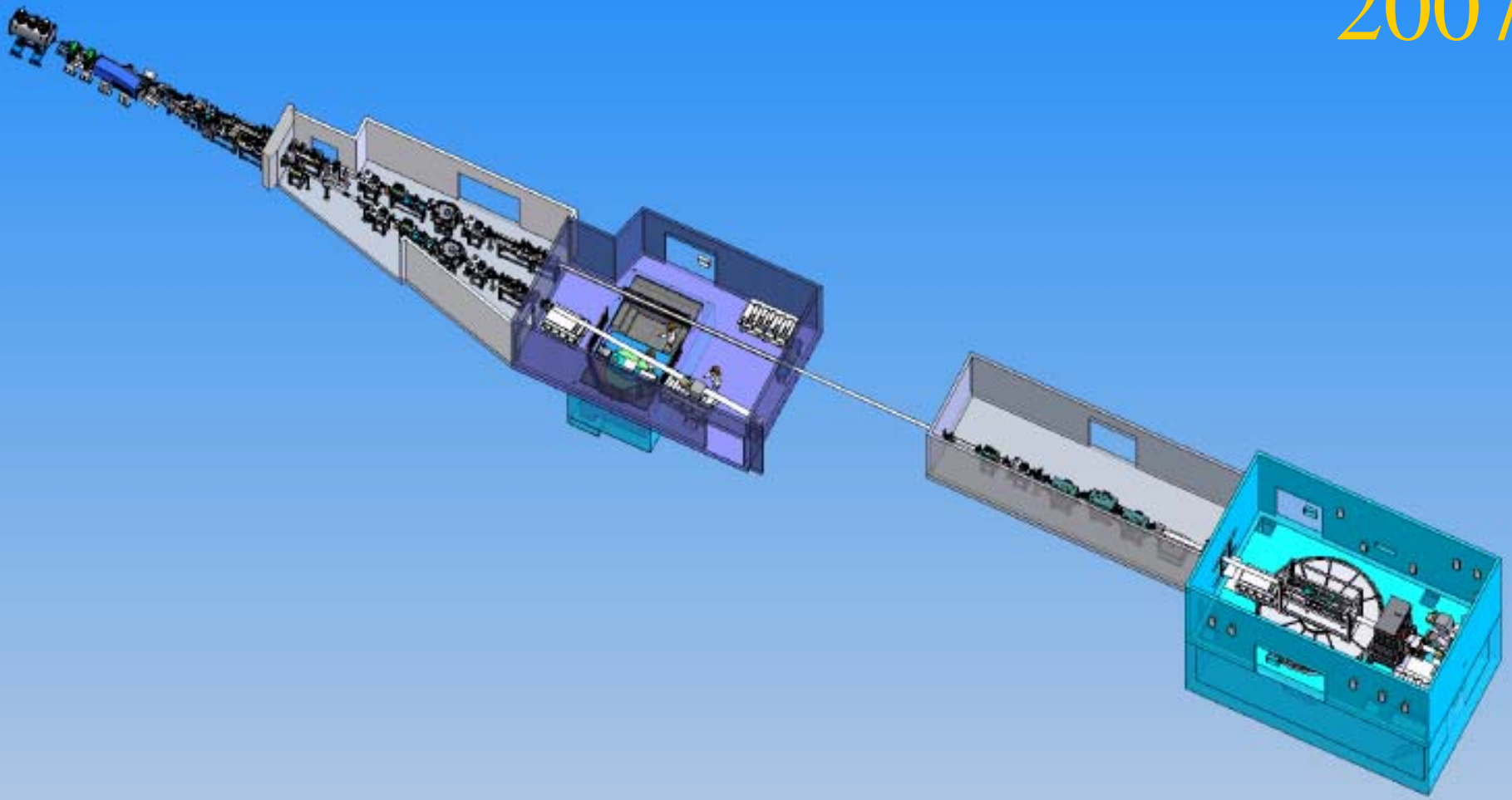


# 05B1-1 Beamline Components



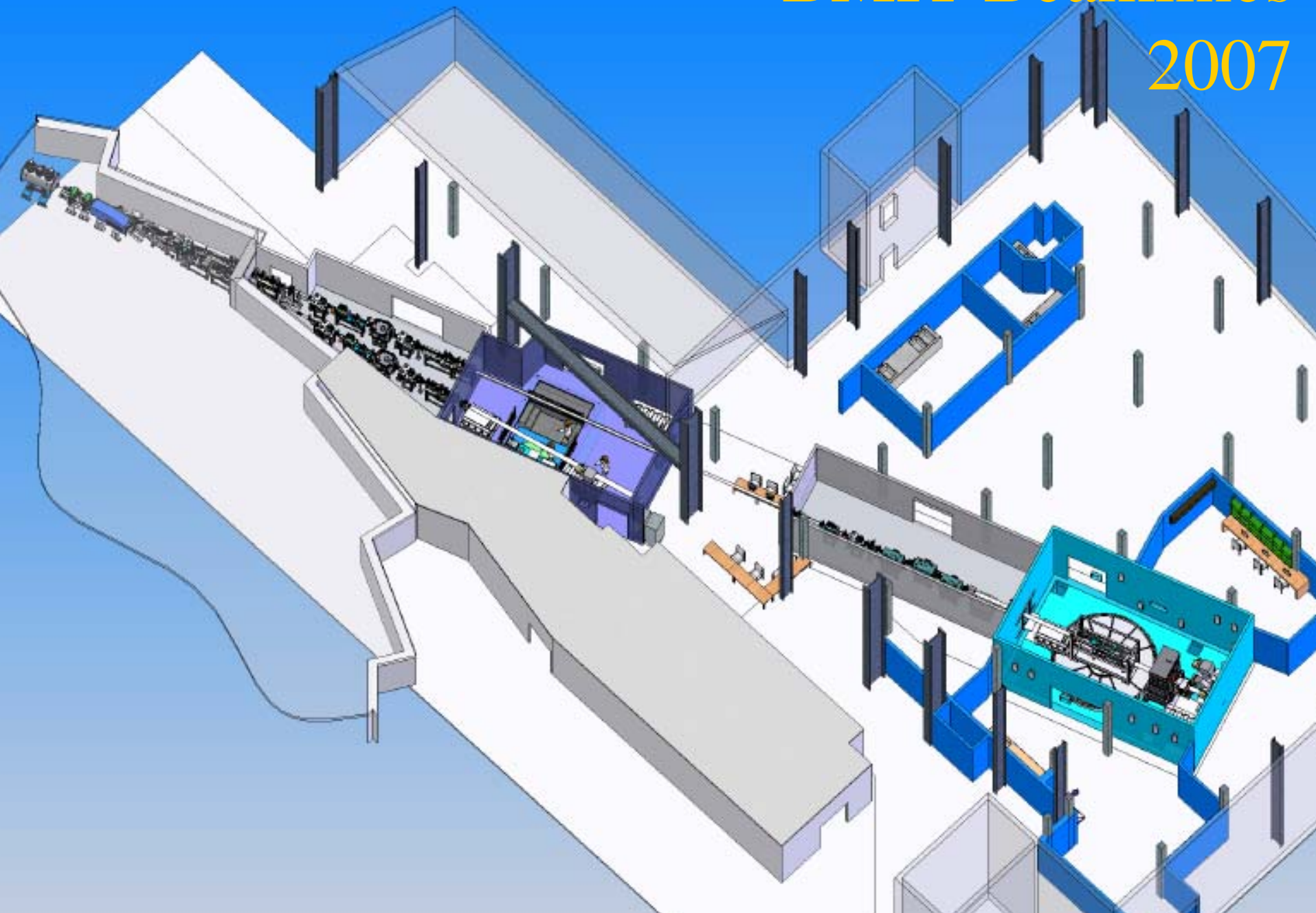
# BMIT Beamlines

## 2007



# MIT Beamlines

2007

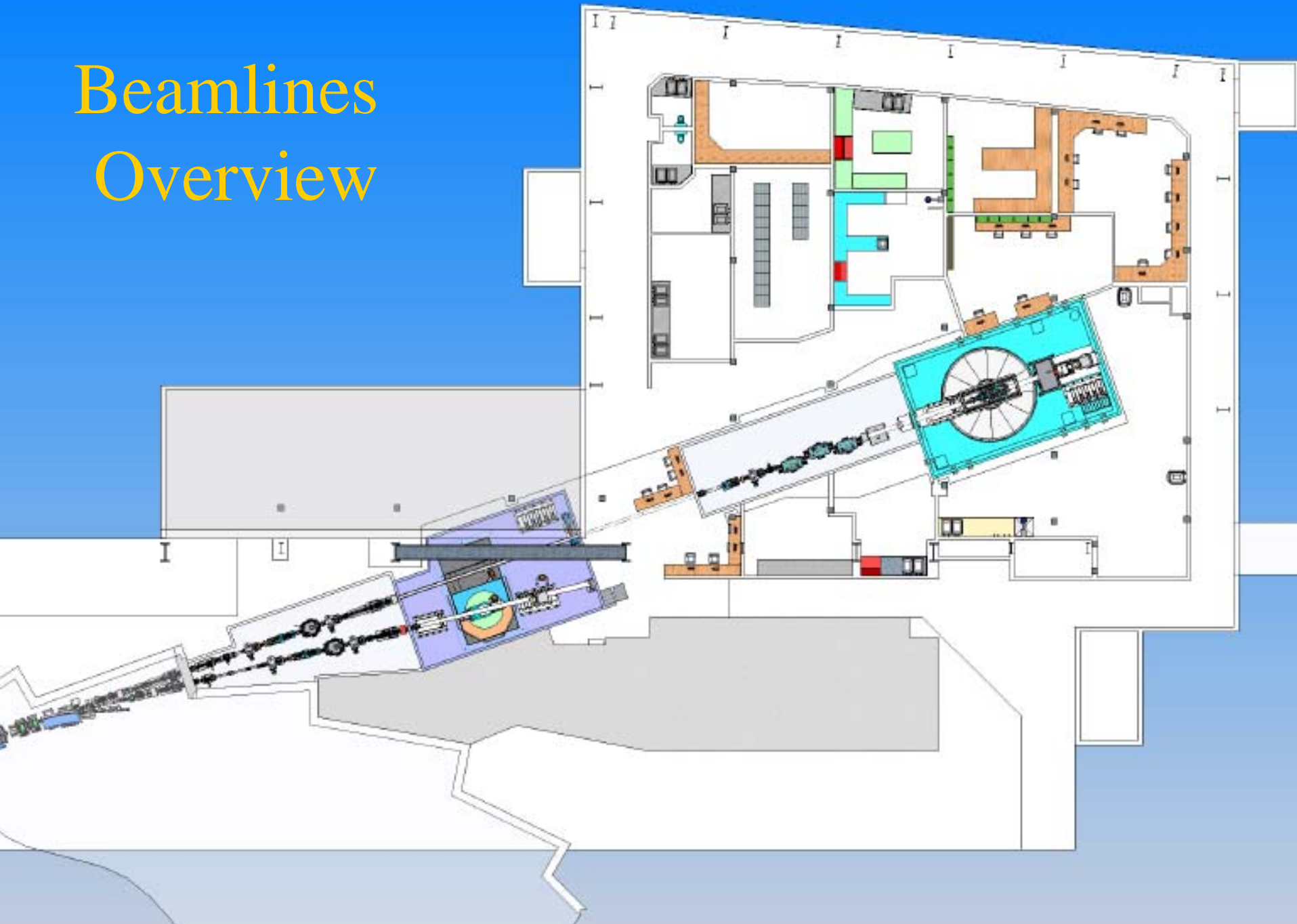


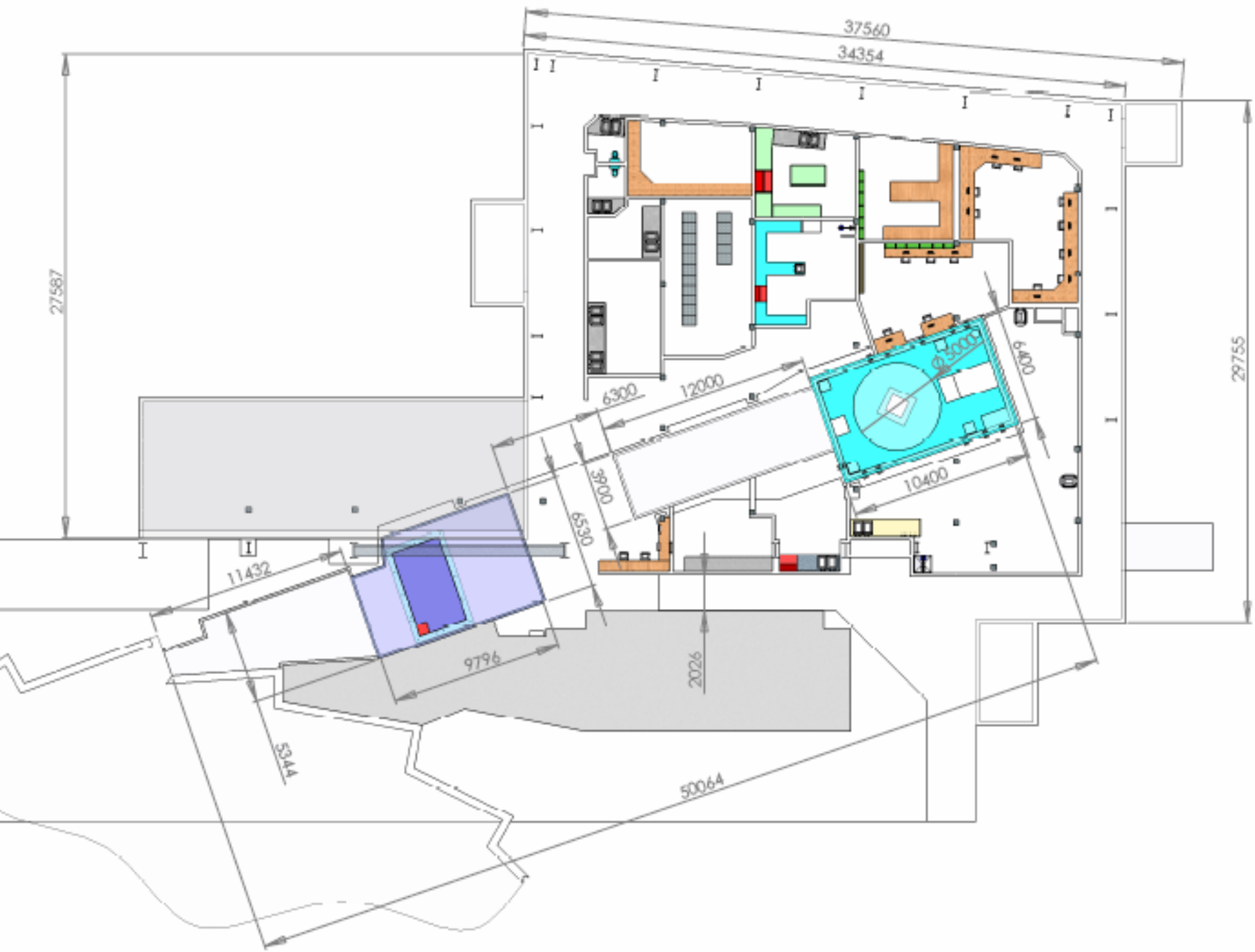
# BMIT Beamlines

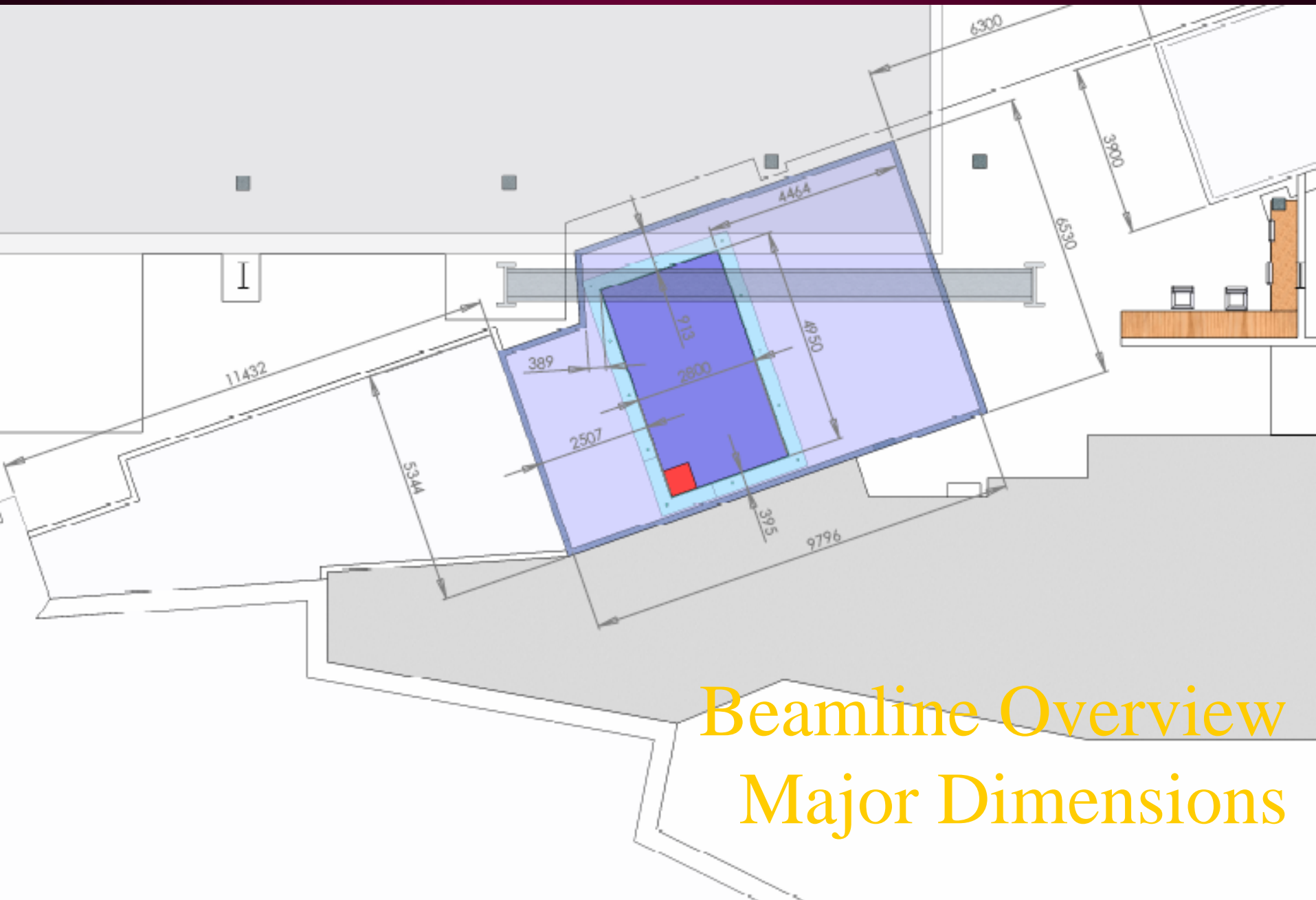
~2077



# Beamlines Overview

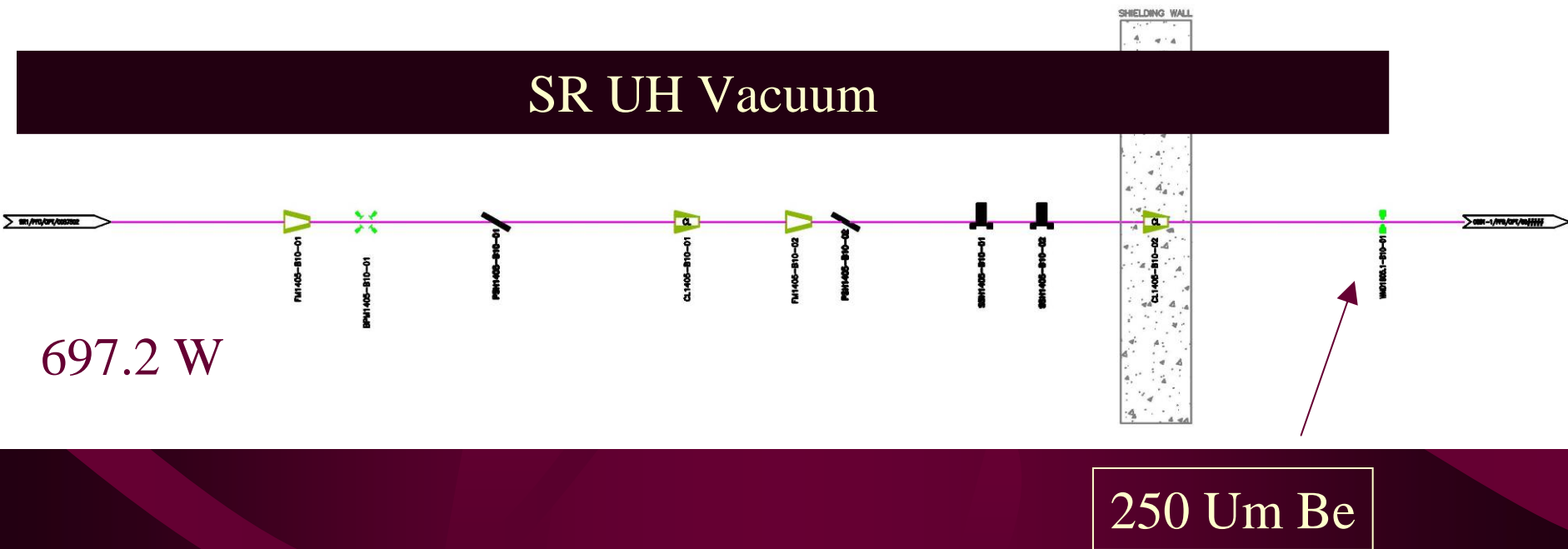






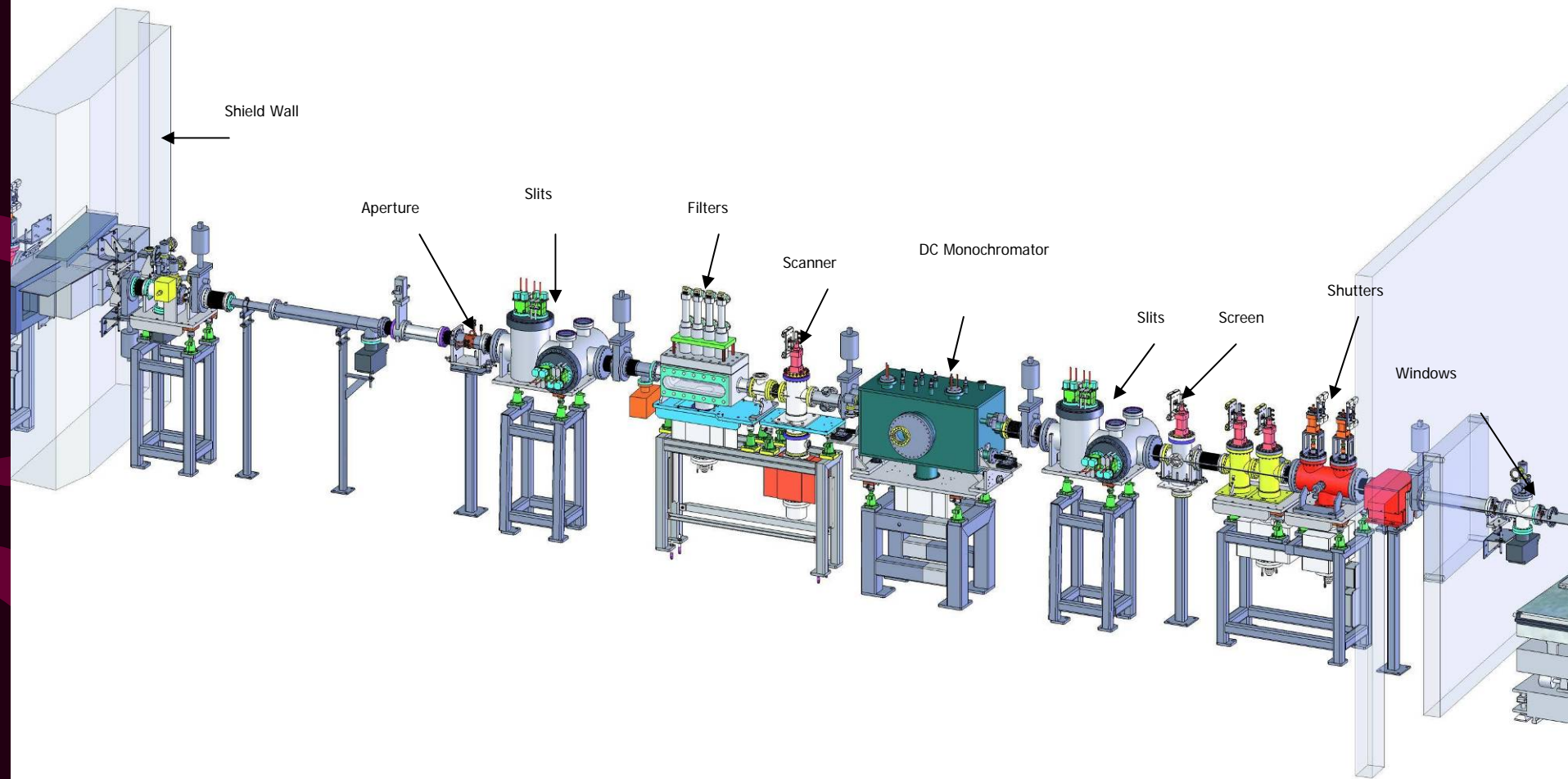
## Beamline Overview Major Dimensions

# Beamline Components Front End



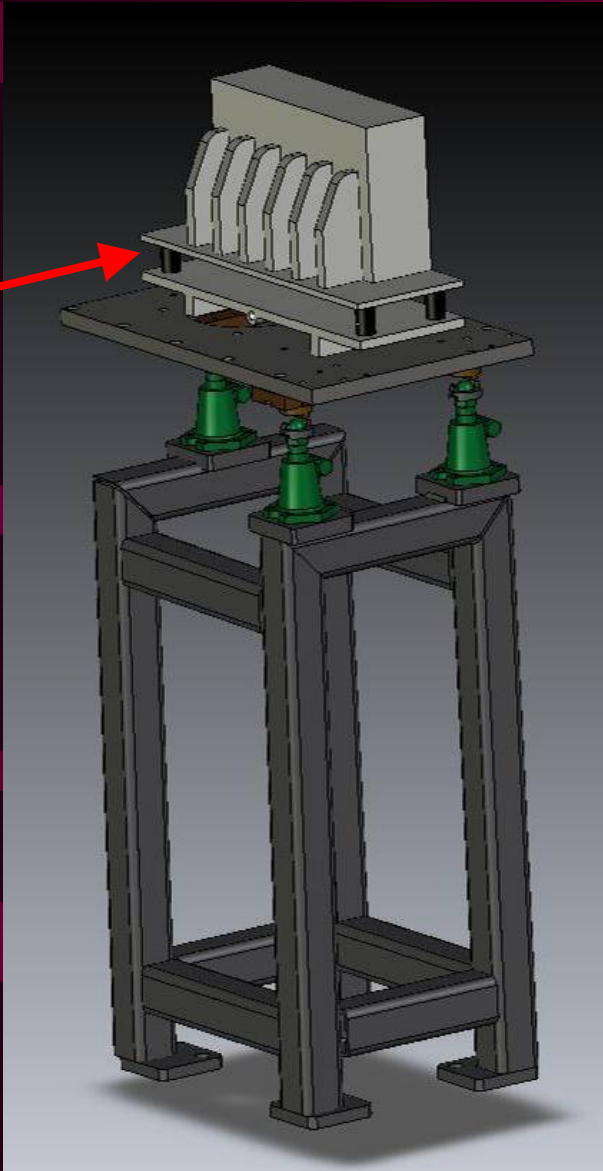
# Beamline Components

## POE-1



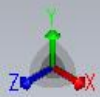
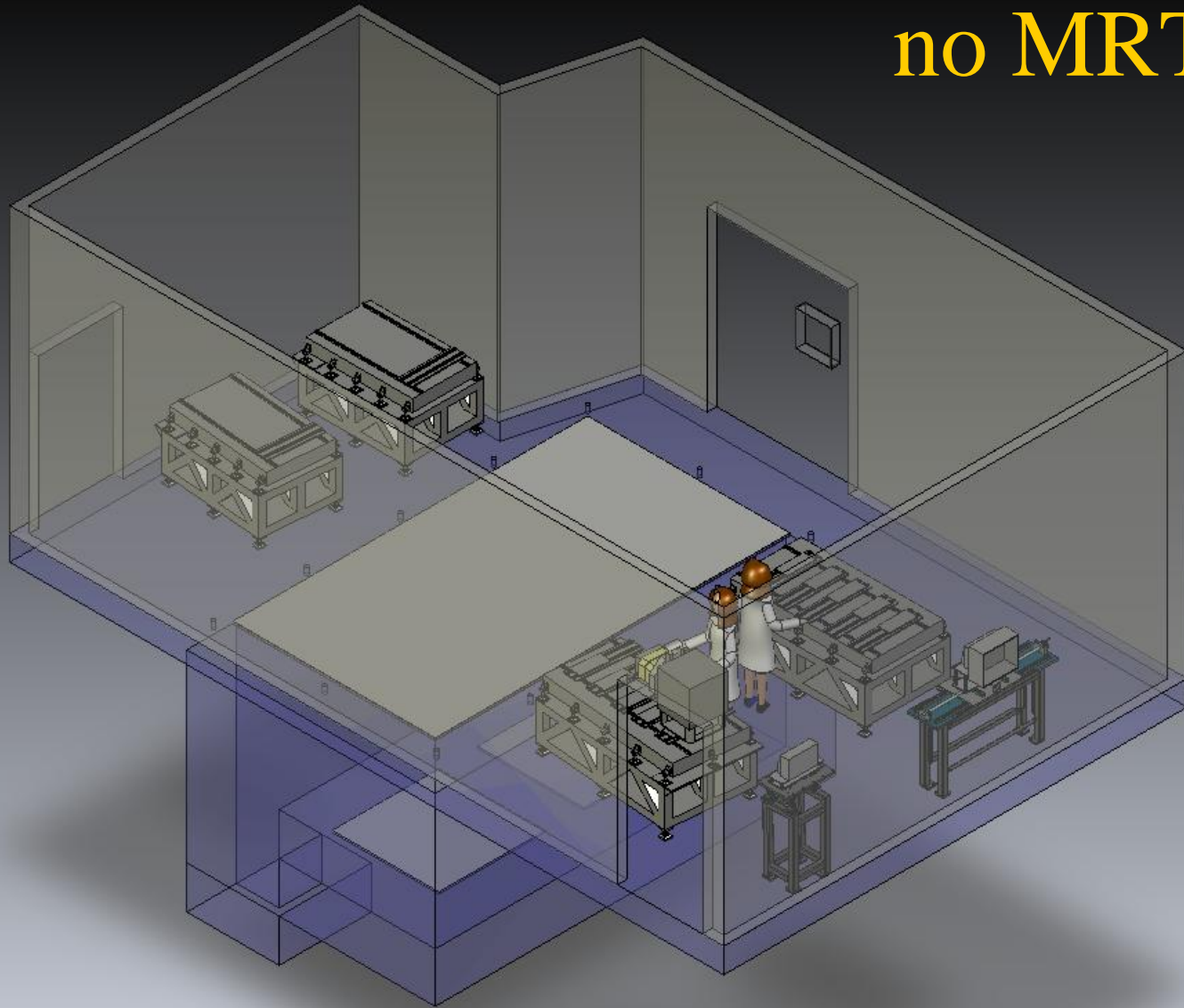
# Beamline Components

## POE-2 Beam Stop



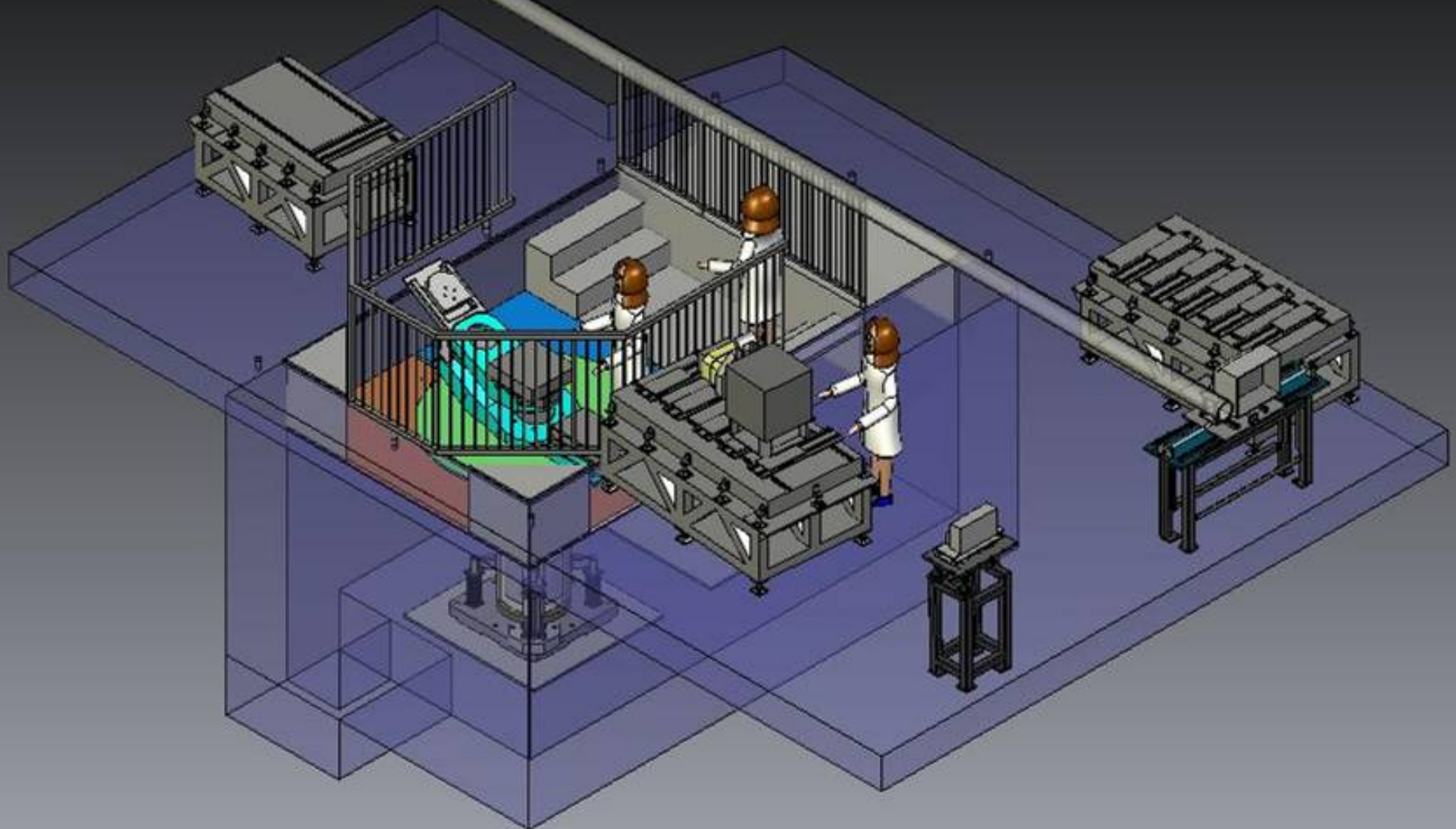
- 30 cm Pb equivalent
- 480 mm (W) x 210 mm (H)
- designed for convection air cooling.

# POE-2 Hutch Configurations no MRT Lift



# POE-2 Hutch Configurations

## MRT Lift on 05B1-1 side (WBT in)



# POE-2 Hutch Configurations

## MRT Lift on 05B1-1 side (WBT in)

